



Passion for Pumps™

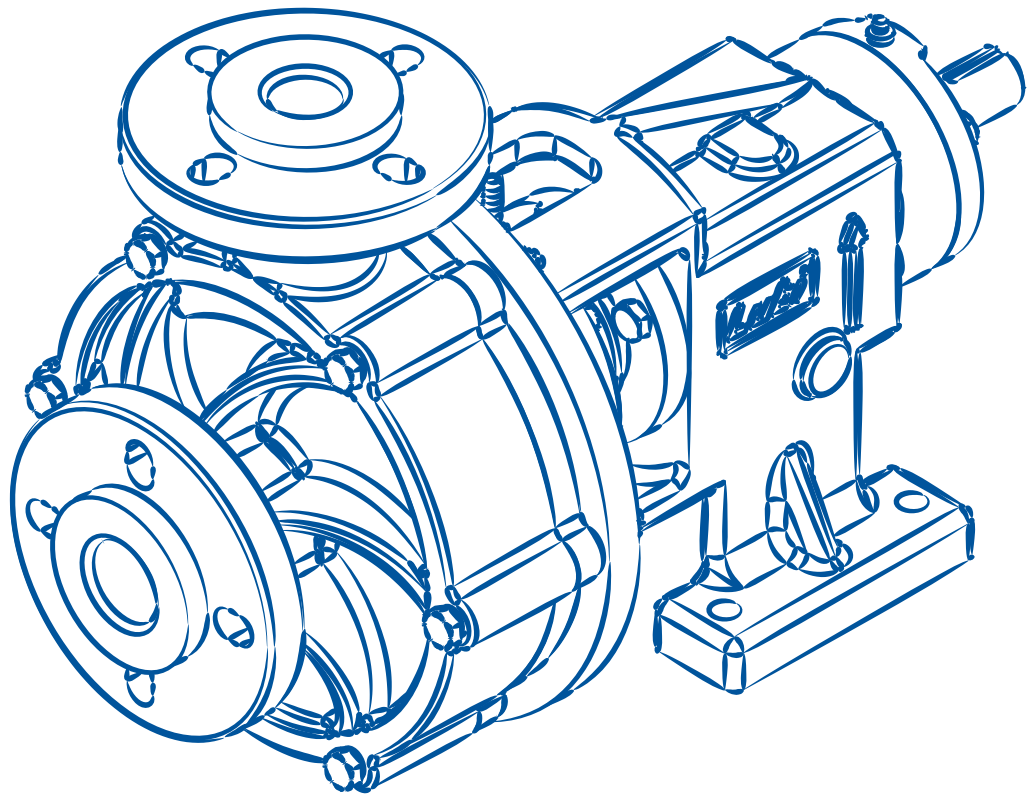


LBC SERIES

Chemical Thermoplastic
Centrifugal Pumps

50 Hz

www.lubipumps.com



INTRODUCTION

The Lubi LBC series are corrosion resistant thermoplastic pumps designed for continuous pressure circulation or transfer of high corrosive liquids / fluids which are compatible with the pump component materials.

The pump discharge can be rotated 90° as per requirement. These pumps are available in Polypropylene material of construction. These pumps are available as Long-coupled with standard TEFC electric motor as well as Flame Proof motor.

POLYPROPYLENE

Polypropylene pumps have wide acceptance in Chemical Industry for handling corrosive liquids / fluids and a suitable choice for handling acids and alkalis.



Chemical Thermoplastic Centrifugal Pumps

PRODUCT FEATURES

- State-of-the art compact design
- Easy and simple to install
- User-friendly operation
- Quiet running
- Reliable and robust construction
- Back pull-out design which simplifies inspection and maintenance
- Rotating parts are balanced by design & construction which ensures vibration free performance and enhanced life
- High performance hydraulics
- Double-row angular contact motor side and single-row deep groove pump side bearings provide excellent axial and radial load support.
- Rigid foot design
- Proper oil/Grease lubrication is essential for long-term life of bearings and pumpset

APPLICATIONS

Chemical process
Pharmaceutical
Food & Beverage processing
Steel plants
Automobiles
Marine/Sea water
Water supply
Booster service
Cooling water
Water treatment/Purification
OEM
Drug and pharmaceutical
Agro chemicals
Detergents and caustics

SEAL DESCRIPTION



SPB Single
Mechanical Seal

Single outside mounting Teflon bellow Mechanical Seal

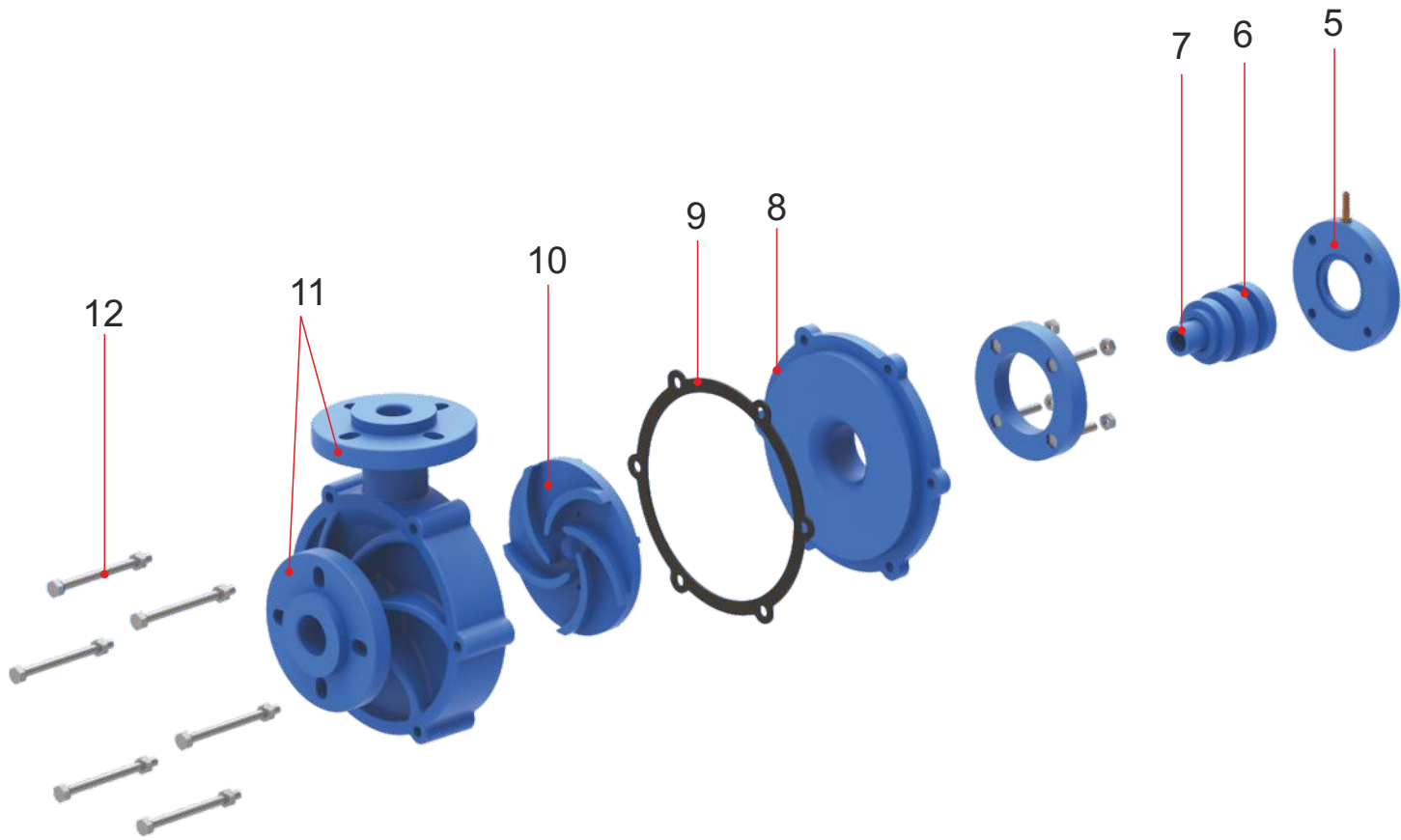
Rotary face : Glass filled Teflon / Silicon
Carbide / Carbon
Stationary face : Ceramic / Silicon Carbide

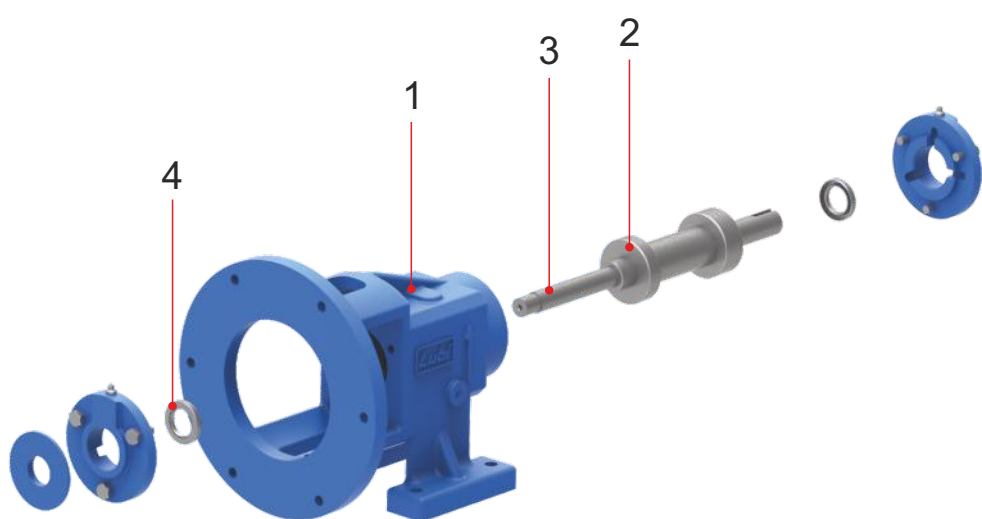
SPS Single Pusher
Multi spring
Mechanical Seal

Single outside mounting Mechanical Seal

Rotary face : Silicon Carbide / Carbon
Stationary face : Ceramic / Silicon Carbide

MATERIAL OF CONSTRUCTION





Sr. No.	Component	Material
1	Drive end Bracket with Cover	Cast Iron
2	Ball Bearings	Steel
3	Pump Shaft	EN-8
4	Oil Seals	Nitrile Rubber
5	Mechanical Seal lock plate	Hylem
6	Mechanical shaft Seal face	Glass filled Teflon or Carbon / Ceramic or Silicon Carbide
7	Shaft Sleeve	Silicon Carbide / Ceramic
8	Volute Casing Cover	Polypropylene
9	Rubber seal Gasket	Nitirile Rubber / FKM
10	Open Impeller with insert	Polypropylene
11	Pump Volute	Polypropylene
12	Pump casing mounting bolt	AISI 304

TECHNICAL SPECIFICATION

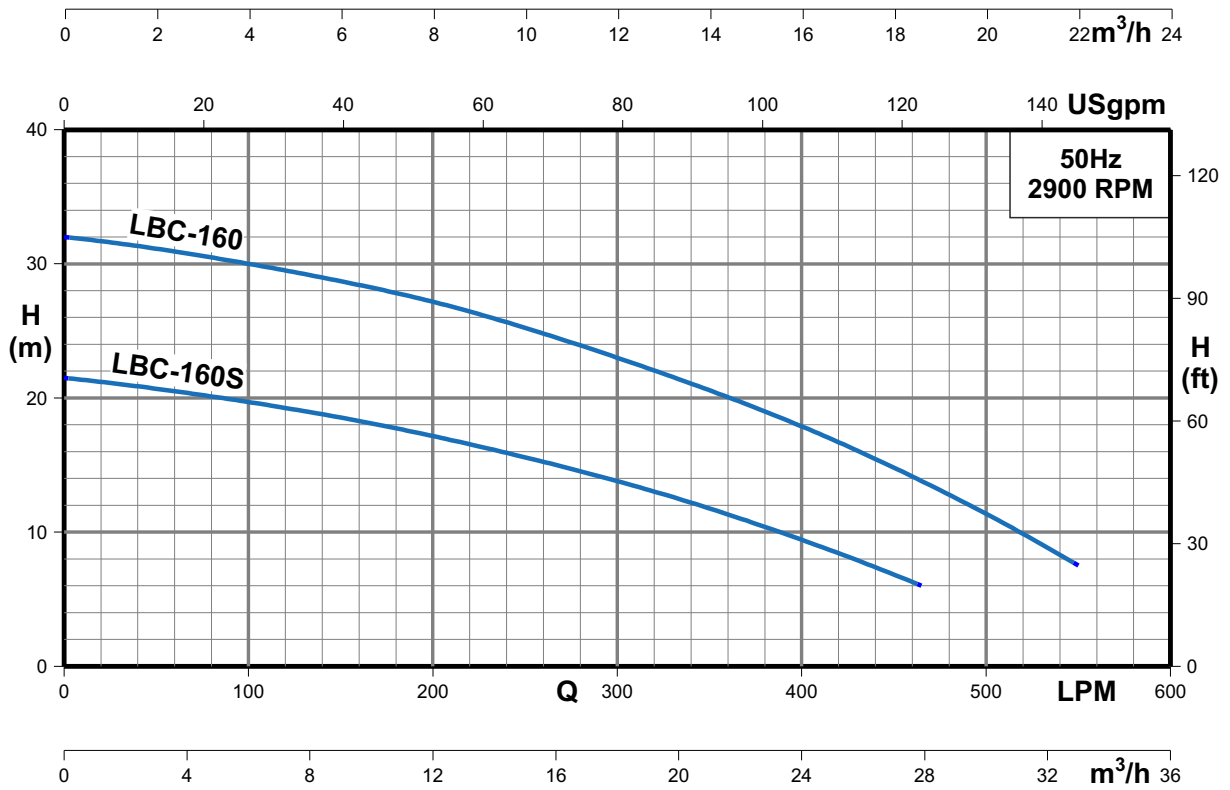
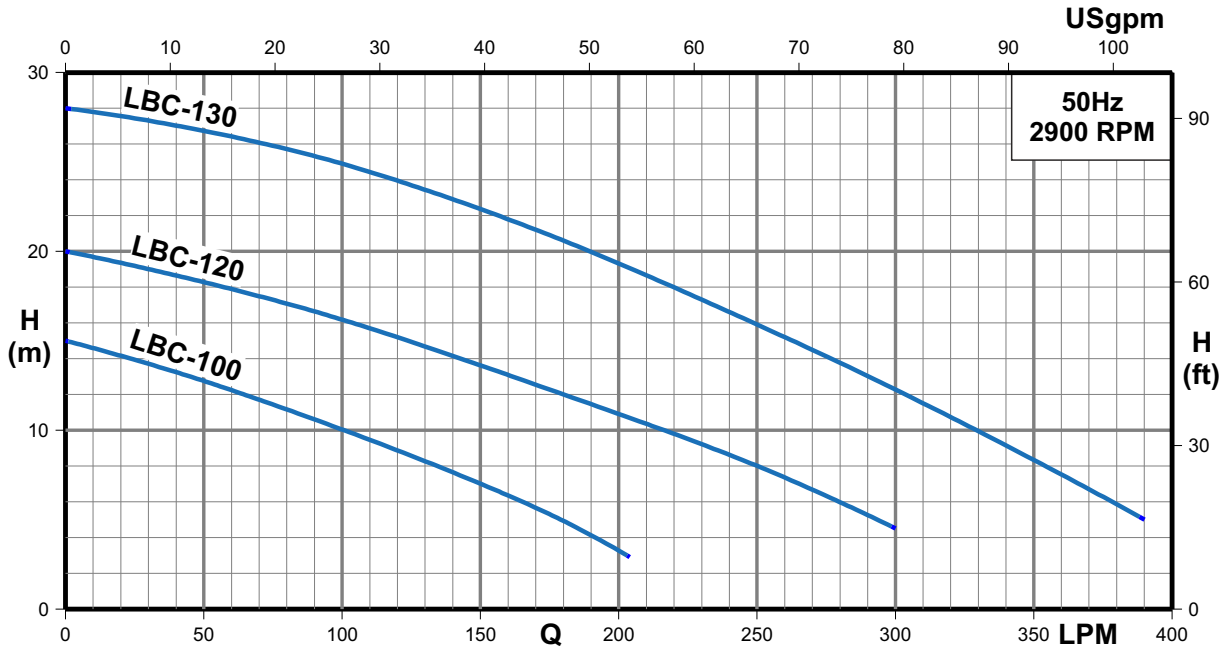
Operating Condition	LBC100	LBC120	LBC130	LBC160S	LBC160	LBC55
Flow Range	up to 14 m ³ /hr	up to 20 m ³ /hr	up to 28 m ³ /hr	up to 34 m ³ /hr	up to 36 m ³ /hr	up to 32 m ³ /hr
Head Range	up to 15 m	up to 20 m	up to 28 m	up to 22 m	up to 32 m	up to 17 m
Viscosity	up to 145 CP	up to 145 CP	up to 145 CP	up to 145 CP	up to 145 CP	up to 145 CP
Max. Liquid temperature Polypropylene	80°C	80°C	80°C	80°C	80°C	80°C
Specific Gravity	1	1	1	1	1	1
Operating Pressure	Max. 1.4 bar	Max. 2.0 bar	Max. 2.8 bar	Max. 3.4 bar	Max. 3.6 bar	Max. 3.2 bar

Motor

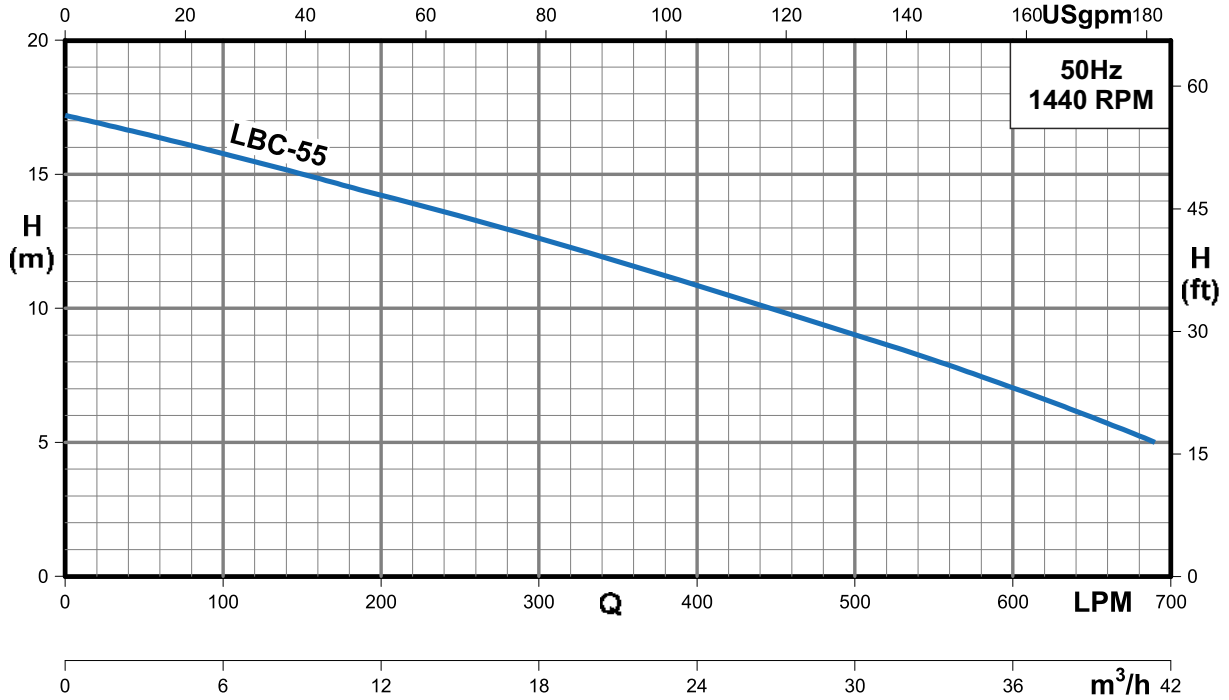
Motor Type	IE-2 / Flame proof TEFC Motor	IE-2 / Flame proof TEFC Motor	IE-2 / Flame proof TEFC Motor	IE-2 / Flame proof TEFC Motor	IE-2 / Flame proof TEFC Motor	IE-2 / Flame proof TEFC Motor
Motor Rating up to	0.75 kW (1.0 hp)	1.5 kW (2.0 hp)	2.25 kW (3.0 hp)	2.25 kW (3.0 hp)	3.7 kW (5.0 hp)	3.7 kW (5.0 hp)
Supply Frequency	50 Hz	50 Hz	50 Hz	50 Hz	50 Hz	50 Hz
Motor Rated Speed	2900 rpm	2900 rpm	2900 rpm	2900 rpm	2900 rpm	1450 rpm
Nominal Voltage	3 PH, 415 V	3 PH, 415 V	3 PH, 415 V	3 PH, 415 V	3 PH, 415 V	3 PH, 415 V
Duty / Rating	S1 / Continuous	S1 / Continuous	S1 / Continuous	S1 / Continuous	S1 / Continuous	S1 / Continuous
Direction of Rotation	Clockwise as seen from coupling end	Clockwise as seen from coupling end	Clockwise as seen from coupling end	Clockwise as seen from coupling end	Clockwise as seen from coupling end	Clockwise as seen from coupling end
Bearing	Ball Bearing	Ball Bearing	Ball Bearing	Ball Bearing	Ball Bearing	Ball Bearing



PERFORMANCE CURVES



PERFORMANCE CURVES



LUBI INDUSTRIES LLP

Near Kalyan Mills, Naroda Road, Ahmedabad-380 025, INDIA.

Phone : +91 - 79 - 61700100, Fax No. :+91 - 79 - 61700399.

Sales Enquiries: indsales@lubipumps.com, expsales@lubipumps.com

www.lubipumps.com

Product Improvement is a continuous process at 'LUBI'. The data given in this publication is therefore subject to revision.

00.02.020221.0181



ISO 9001



ISO 14001

Customer Care No : 09824200800